

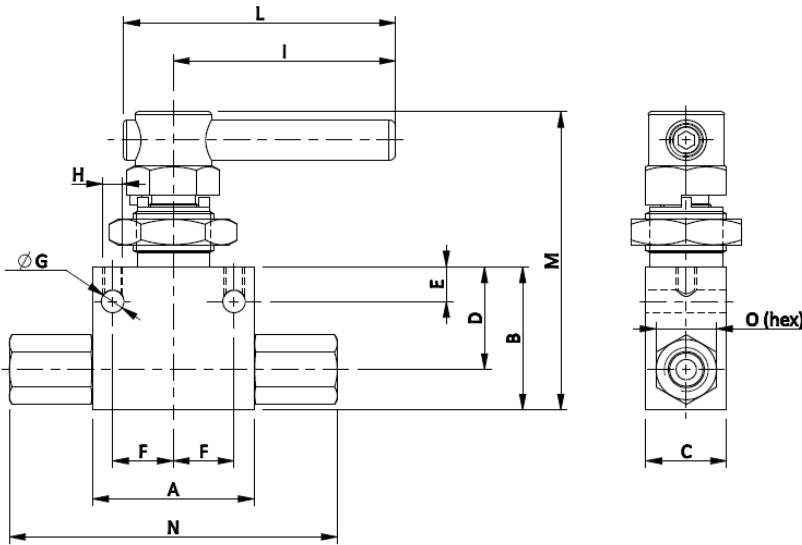
## B15-Series Ball Valve

**15,000 psi**

SAMI INSTRUMENTS medium pressure valves are designed for liquid and gas flow control and are available in various tubing sizes to satisfy different requirements. Connections from 1/4" to 9/16" NPT-F.

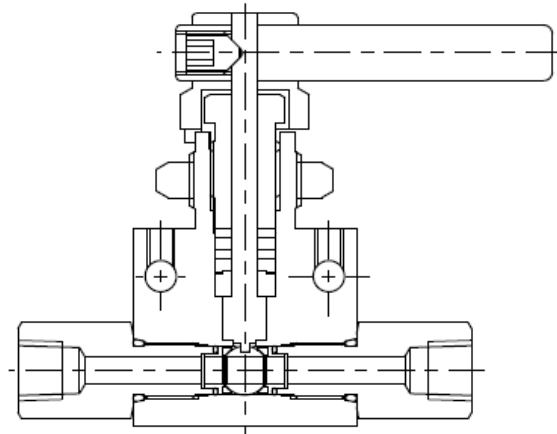
### Specifications

- Pressure 15,000 Psi ( 1034 Bar )
- Positive sealing assured by pressure loaded seats
- Maximum safety assured by blowout-proof stem and ball
- Versatile installation thanks to wide choice of replaceable connections.
- Minimum pressure drop assured by straight through flow path.



### Features

- 316 cold-worked stainless steel body and side adapters
- PEEK ball seals
- Stem packings in glass-filled Teflon
- Viton o-rings
- Quick open and close thanks to quarter-turn operation
- Flow indicating handle allows to indicate valve position at a glance
- Bi-directional flow capabilities.
- Mounting:  
Panel: 1.06" ( 26.0 mm ) dia  
0.43" ( 11.0 mm ) max thickness



Order code	Connections Inlet/ outlet	A (mm) (inch)	B (mm) (inch)	C (mm) (inch)	D (mm) (inch)	E (mm) (inch)	F (mm) (inch)	G (mm) (inch)	H (mm) (inch)	I (mm) (inch)	L (mm) (inch)	M (mm) (inch)	N (mm) (inch)	O (mm) (inch)	Orifice mm (inch)
S15V01T11	1/4" NPT-F	50.8 (2)	45.1 (1.77)	25.4 (1)	32.4 (1.27)	10.9 (0.43)	19.1 (0.75)	7.1 (0.28)	1/4"-20 UNC	69.9 (2.75)	85.5 (3.37)	94.2 (3.71)	103.2 (4.06)	19.1 (0.75)	6.4 (0.25)
S15V01T12	3/8" NPT-F	50.8 (2)	45.1 (1.77)	25.4 (1)	32.4 (1.27)	10.9 (0.43)	19.1 (0.75)	7.1 (0.28)	1/4"-20 UNC	69.9 (2.75)	85.5 (3.37)	94.2 (3.71)	103.2 (4.06)	35.1 (1.38)	6.4 (0.25)
S15V01T13	9/16" NPT-F	50.8 (2)	45.1 (1.77)	25.4 (1)	32.4 (1.27)	10.9 (0.43)	19.1 (0.75)	7.1 (0.28)	1/4"-20 UNC	69.9 (2.75)	85.5 (3.37)	94.2 (3.71)	109.8 (4.32)	35.1 (1.38)	6.4 (0.25)



SAMI instruments srl  
via Botte, 8  
35011 Reschigliano  
di Campodarsego • PD • Italy

tel. +39 049 9201939  
fax +39 049 9217549  
info@sami-instruments.com  
www.sami-instruments.com

