

B-Series Ball Valve up to 20,000 psi

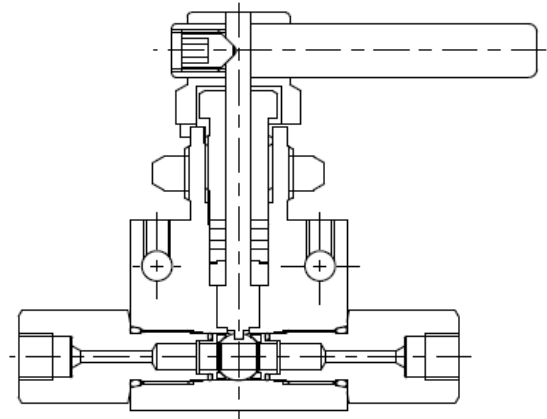
SAMI INSTRUMENTS high pressure valves are designed for liquid and gas flow control and are available in various tubing sizes to satisfy different requirements. Connections from 1/4" to 9/16" M/P.

Specifications

- Pressure up to 20,000 Psi (1380 Bar)
- Positive sealing assured by pressure loaded seats
- Maximum safety assured by blowout-proof stem and ball
- Versatile installation thanks to wide choice of replaceable connections.
- Minimum pressure drop assured by straight through flow path.

Features

- 316 cold-worked stainless steel body and side adapters
- PEEK ball seals
- Stem packings in glass-filled Teflon
- Viton o-rings
- Quick open and close thanks to quarter-turn operation
- Flow indicating handle allows to indicate valve position at a glance
- Bi-directional flow capabilities.
- Mounting:
Panel: 1.06" (26.0 mm) dia
0.43" (11.0 mm) max thickness



Order code	Connections Inlet/ outlet	A (mm) (inch)	B (mm) (inch)	C (mm) (inch)	D (mm) (inch)	E (mm) (inch)	F (mm) (inch)	G (mm) (inch)	H (mm) (inch)	I (mm) (inch)	L (mm) (inch)	M (mm) (inch)	N (mm) (inch)	O (mm) (inch)	Orifice mm (inch)
B20V01T01	1/4" M/P	50.8 (2)	45.1 (1.77)	25.4 (1)	32.4 (1.27)	10.9 (0.43)	19.1 (0.75)	7.1 (0.28)	1/4"-20 UNC	69.9 (2.75)	85.5 (3.37)	94.2 (3.71)	103.2 (4.06)	19.1 (0.75)	2.8 (0.11)
B20V01T02	3/8" M/P	50.8 (2)	45.1 (1.77)	25.4 (1)	32.4 (1.27)	10.9 (0.43)	19.1 (0.75)	7.1 (0.28)	1/4"-20 UNC	69.9 (2.75)	85.5 (3.37)	94.2 (3.71)	103.2 (4.06)	19.1 (0.75)	5.2 (0.204)
B20V01T03	9/16" M/P	50.8 (2)	45.1 (1.77)	25.4 (1)	32.4 (1.27)	10.9 (0.43)	19.1 (0.75)	7.1 (0.28)	1/4"-20 UNC	69.9 (2.75)	85.5 (3.37)	94.2 (3.71)	116.4 (4.58)	25.4 (1)	9 (0.354)



SAMI instruments srl
via Botte, 8
35011 Reschigliano
di Campodarsego • PD • Italy

tel. +39 049 9201939
fax +39 049 9217549
info@sami-instruments.com
www.sami-instruments.com

