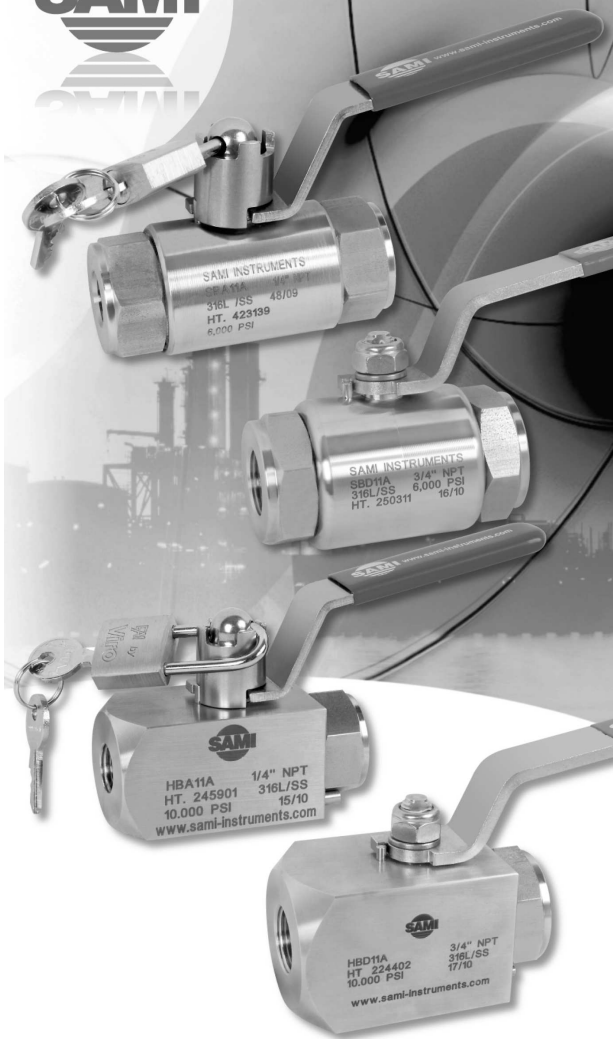


**In the sign
of evolution
and safety**

BALL VALVES



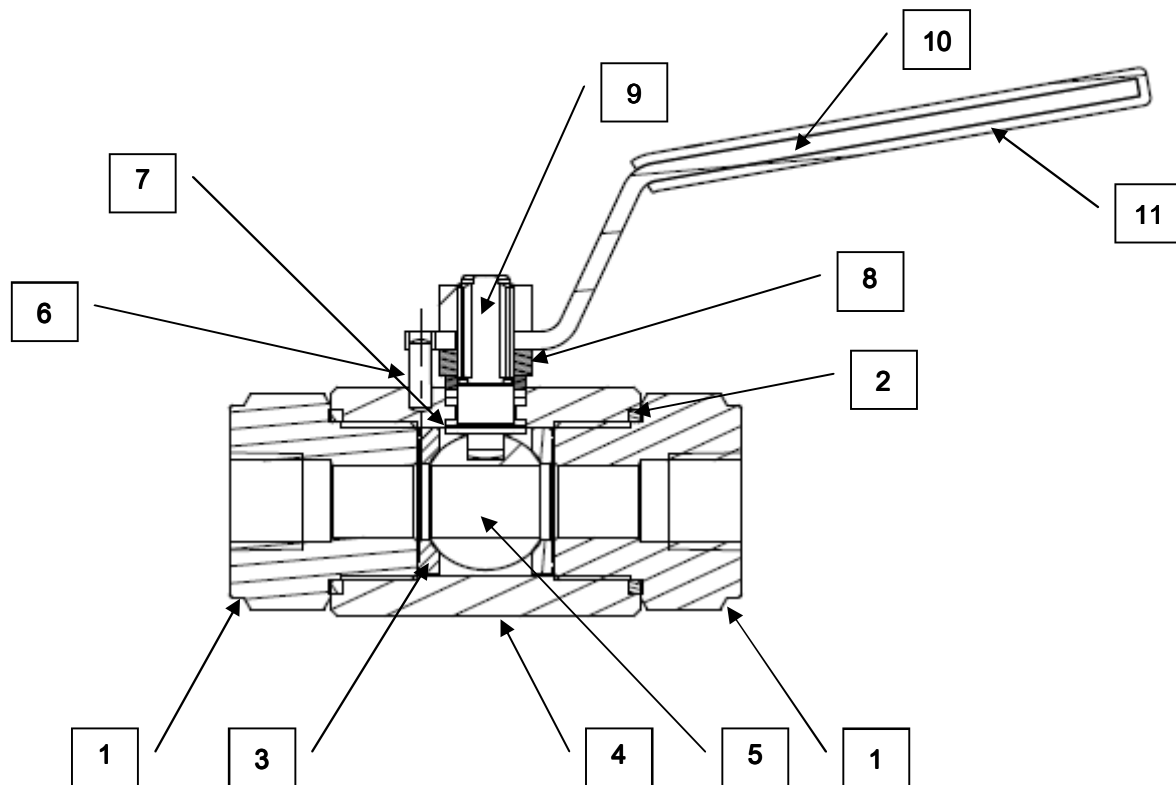
sami-instruments.com



SAMI instruments srl
via Botte, 8
35011 Reschigliano
di Campodarsego • PD • Italy

tel. +39 049 9201939
fax +39 049 9217549
info@sami-instruments.com
www.sami-instruments.com





BILL OF MATERIALS

1	CLOSE FITTING	AISI 316L
2	CLOSE RINGS	PTFE
3	BALL GASKET	PEEK
4	VALVE BODY	AISI 316L
5	BALL	AISI 316L
6	PIN	AISI 304 (AISI 316L upon request)
7	GASKET	PTFE 25% CARBOGRAPHITE
8	SPRING WASHER	AISI 316L
9	BALL STEM	AISI 316L
10	HANDLE	AISI 316L
11	HANDLE COVER	PVC



SAMI instruments srl
 via Botte, 8
 35011 Reschigliano
 di Campodarsego • PD • Italy

tel. +39 049 9201939
 fax +39 049 9217549
 info@sami-instruments.com
 www.sami-instruments.com





Ordering Information - Ball Valves

Sami Instruments Simple Ball Valves are designed to withstand pressure ratings up to 10,000 psi (689 bar).
The Simple Ball Valves are suitable for the most demanding applications in the oil, gas and process control industries

Model	Size	In	Out	Material	Options
SB	C	1	1	A	B

Model	(Standard Packing: PEEK)
SB	Simple Ball Valve (6,000 psi)
HB	High Pressure Ball Valve (10,000 psi)

Size	
A	1/4"
B	3/8"
C	1/2"
D	3/4"
E	1"

Inlet	
1	NPT
2	BP
3	BT
4	S.W.
5	B.W.
6	Plain End
7	O.D.

Outlet	
1	NPT
2	BP
3	BT
4	S.W.
5	B.W.
6	Plain End
7	O.D.

Material	
A	Aisi 316L
C	Aisi 316 Ti
D	Monel 400
E	Duplex F51
G	Super Duplex F55
H	Hastelloy C276
I	Inconel 625
J	Incolloy 825
L	Titanium
M	A350-LF2
N	F44
Q	ASTM B148

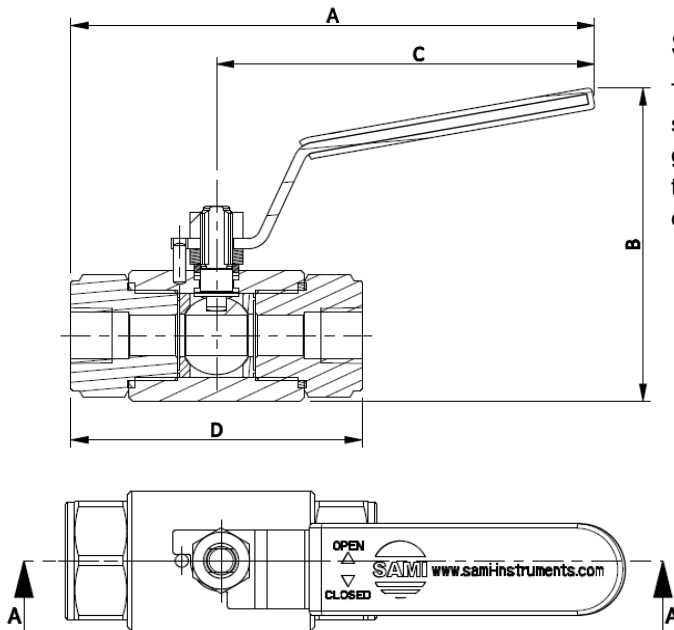
Options	
B	Locking Device
D	Connections Male/Female
E	Connections Male/Male
I	Devlon Packing
O	PTFE Packing
P	Panel Mounting
S	Spring loaded safety locking device



SAMI instruments srl
via Botte, 8
35011 Reschigliano
di Campodarsego • PD • Italy

tel. +39 049 9201939
fax +39 049 9217549
info@sami-instruments.com
www.sami-instruments.com





Simple Ball Valve 6,000 psi

The 3 piece simple ball valve is designed to give higher strength and integrity by using the same dynamic multi-ring gland system as in the needle valve, which when combined with the anti-blowout back seating stem, guarantees resistance to all operating processes and pressures.

Specifications

- Pressure 6,000 Psi (413 Bar)
- Temperature rating PEEK packing from -40°C to $+260^{\circ}\text{C}$ (-40°F / $+500^{\circ}\text{F}$)
- Standard orifice diameter 10.0 mm
- Standard 316L stainless steel

Features

- Super finished floating ball within dynamic, self relieving PEEK gasket
- PEEK packing standard
- Stainless steel construction as standard, optional:
See material list on page 3
- Flexible three piece construction for easy maintenance
- Anti-blowout stem for safety
- Variety of end connections

Order code	Connections		A mm (inch)	B mm (inch)	C mm (inch)	D mm (inch)	E mm (inch)	F mm (inch)	Orifice mm (inch)
	Inlet	Outlet							
SBA11A	1/4 "	1/4 "	127.90 (5.036)	76.6 (3.017)	92.4 (3.638)	71.0 (2.795)	32.0 (1.260)	27.0 (1.063)	10.00 (0.394)
SBB11A	3/8 "	3/8 "	127.90 (5.036)	76.6 (3.017)	92.4 (3.638)	71.0 (2.795)	32.0 (1.260)	27.0 (1.063)	10.00 (0.394)
SBC11A	1/2 "	1/2 "	130.9 (5.154)	76.6 (3.017)	92.4 (3.638)	77.0 (3.031)	32.0 (1.260)	27.0 (1.063)	10.00 (0.394)

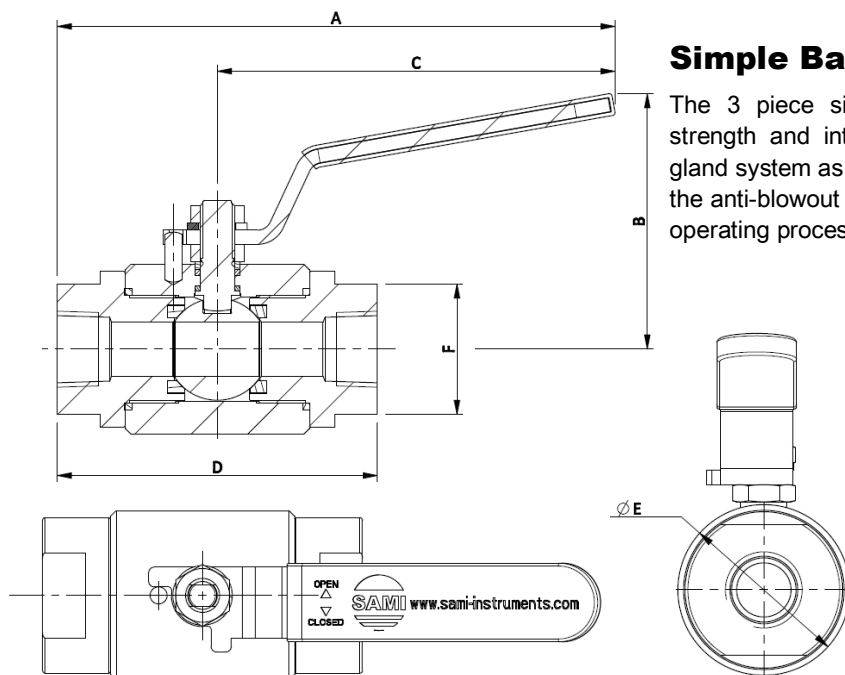
Material of construction can be supplied to meet the requirements of NACE MR 01-75



SAMI instruments srl
via Botte, 8
35011 Reschigliano
di Campodarsego • PD • Italy

tel. +39 049 9201939
fax +39 049 9217549
info@sami-instruments.com
www.sami-instruments.com





Simple Ball Valve 6,000 psi

The 3 piece simple ball valve is designed to give higher strength and integrity by using the same dynamic multi-ring gland system as in the needle valve, which when combined with the anti-blowout back seating stem, guarantees resistance to all operating processes and pressures.

Specifications

- Pressure 6,000 Psi (413 Bar)
- Temperature rating PEEK packing from -40°C to +260°C (-40°F / + 500°F)
- Standard orifice diameter 10.0 mm
- Standard 316L stainless steel

Features

- Super finished floating ball within dynamic, self relieving PEEK gasket
- PEEK packing standard
- Stainless steel construction as standard, optional:
See material list on page 3
- Flexible three piece construction for easy maintenance
- Anti-blowout stem for safety
- Variety of end connections

Order code	Connections		A mm (inch)	B mm (inch)	C mm (inch)	D mm (inch)	E mm (inch)	F mm (inch)	Orifice mm (inch)
	Inlet	Outlet							
SBD11A	3/4 "	3/4 "	196.9 (7.750)	90.2 (3.551)	140.4 (5.528)	112.9 (4.445)	59.5 (2.343)	46.0 (1.811)	19.00 (0.748)
SBE11A	1 "	1 "	199.9 (7.869)	90.2 (3.551)	140.4 (5.114)	118.9 (4.681)	59.5 (2.343)	46.0 (1.811)	19.00 (0.748)

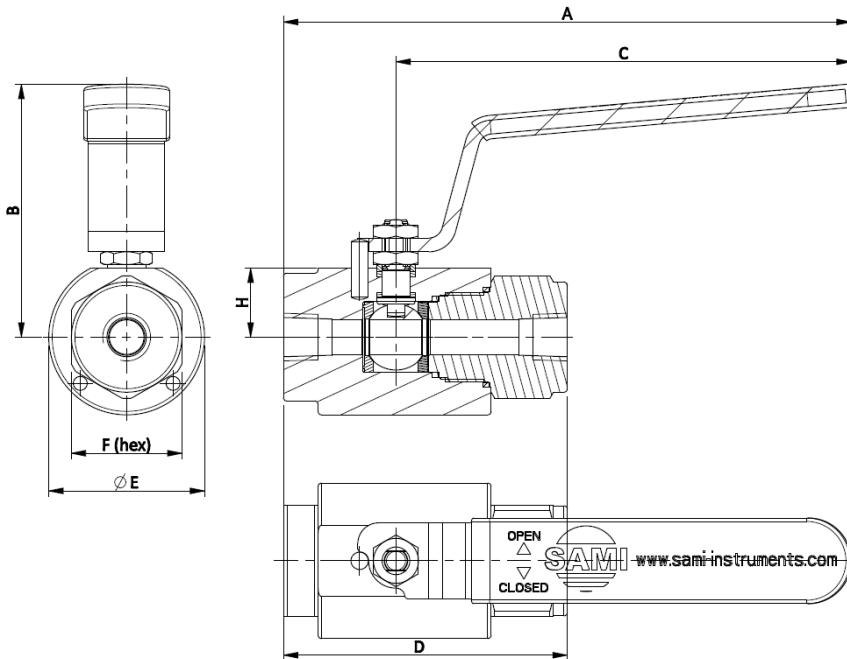
Material of construction can be supplied to meet the requirements of NACE MR 01-75



SAMI instruments srl
via Botte, 8
35011 Reschigliano
di Campodarsego • PD • Italy

tel. +39 049 9201939
fax +39 049 9217549
info@sami-instruments.com
www.sami-instruments.com





Simple Ball Valve 10,000

psi

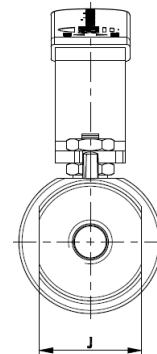
The 3 piece simple ball valve is designed to give higher strength and integrity by using the same dynamic multi-ring gland system as in the needle

Specifications

- Pressure 10,000 Psi (689 Bar)
- Temperature rating PEEK packing from -40°C to $+260^{\circ}\text{C}$ (-40°F / $+500^{\circ}\text{F}$)
- Standard orifice diameter 10.0 mm
- Standard 316L stainless steel

Features

- Super finished floating ball within dynamic, self relieving PEEK gasket
- PEEK packing standard
- Stainless steel construction as standard, optional: see material list
- Flexible three piece construction for easy maintenance
- Anti-blowout stem for safety
- Variety of end connections



Order code	Connections		A mm (inch)	B mm (inch)	C mm (inch)	D mm (inch)	E mm (inch)	F mm (inch)	J mm (inch)	H mm (inch)	Orifice mm (inch)
	Inlet	Outlet									
HBA11A	1/4 "	1/4 "	164.00 (6.456)	71.20 (2.804)	131.50 (5.177)	82.00 (3.228)	45.00 (1.772)	32.00 (1.260)	32.00 (1.260)	20.00 (0.787)	10.00 (0.394)
HBB11A	3/8 "	3/8 "	164.00 (6.456)	71.20 (2.804)	131.50 (5.177)	82.00 (3.228)	45.00 (1.772)	32.00 (1.260)	32.00 (1.260)	20.00 (0.787)	10.00 (0.394)
HBC11A	1/2 "	1/2 "	164.00 (6.456)	71.20 (2.804)	131.50 (5.177)	82.00 (3.228)	45.00 (1.772)	32.00 (1.260)	32.00 (1.260)	20.00 (0.787)	10.00 (0.394)

Material of construction can be supplied to meet the requirements of NACE MR 01-75



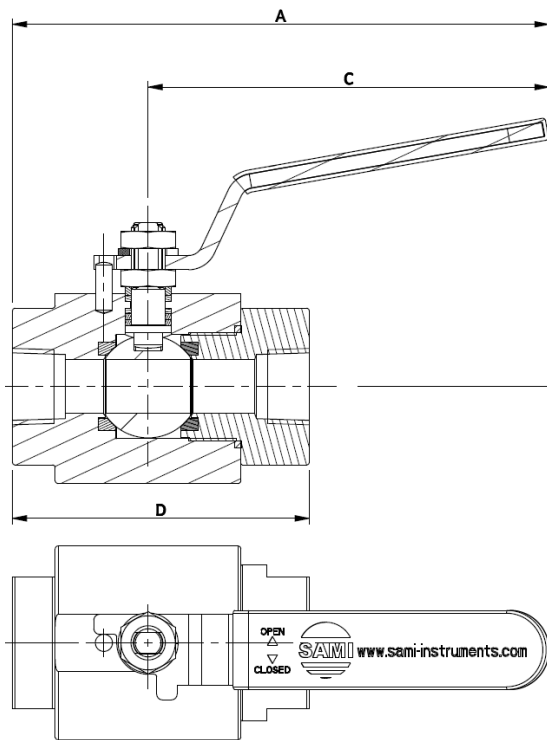
SAMI instruments srl
via Botte, 8
35011 Reschigliano
di Campodarsego • PD • Italy

tel. +39 049 9201939
fax +39 049 9217549
info@sami-instruments.com
www.sami-instruments.com





SB Series



Simple Ball Valve 10,000 psi

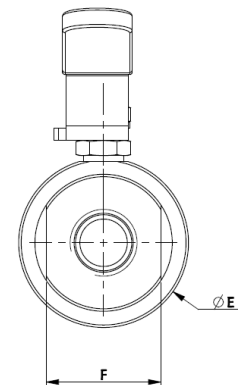
The 3 piece simple ball valve is designed to give higher strength and integrity by using the same dynamic multi-ring gland system as in the needle valve, which when combined with the anti-blowout back seating stem, guarantees resistance to all operating processes and pressures.

Specifications

- Pressure 6,000 Psi (413 Bar)
- Temperature rating PEEK packing from -40°C to $+260^{\circ}\text{C}$ (-40°F / $+500^{\circ}\text{F}$)
- Standard orifice diameter 10.0 mm
- Standard 316L stainless steel

Features

- Super finished floating ball within dynamic, self relieving PEEK gasket
- PEEK packing standard
- Stainless steel construction as standard, optional: see material list
- Flexible three piece construction for easy maintenance
- Anti-blowout stem for safety
- Variety of end connections



Order code	Connections		A mm (inch)	B mm (inch)	C mm (inch)	D mm (inch)	E mm (inch)	F mm (inch)	Orifice mm (inch)
	Inlet	Outlet							
HBD11A	3/4 "	3/4 "	188.00 (7.400)	94.20 (3.708)	140.40 (5.528)	104.00 (4.094)	67.50 (2.657)	46.00 (1.811)	19.00 (0.748)
HBE11A	1 "	1 "	188.00 (7.400)	94.20 (3.708)	140.40 (5.528)	107.00 (4.213)	67.50 (2.657)	46.00 (1.811)	19.00 (0.748)

Material of construction can be supplied to meet the requirements of NACE MR 01-75



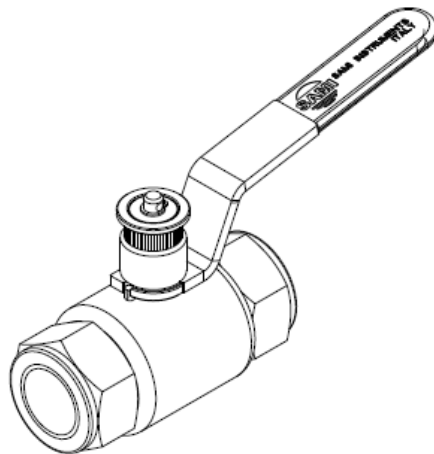
SAMI instruments srl
 via Botte, 8
 35011 Reschigliano
 di Campodarsego • PD • Italy

tel. +39 049 9201939
 fax +39 049 9217549
 info@sami-instruments.com
 www.sami-instruments.com

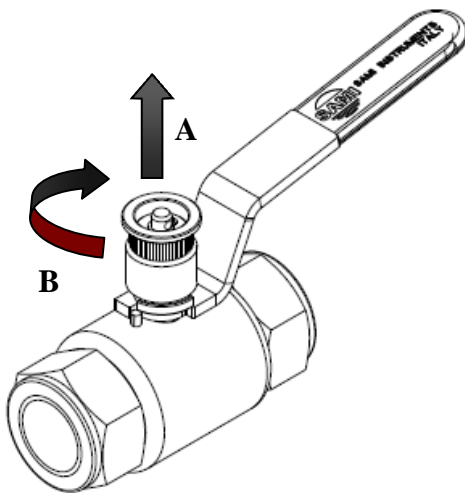


Option "S" (see coding system on page 3)

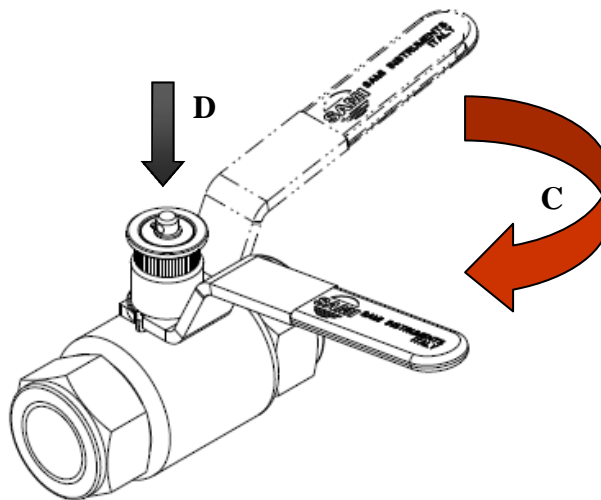
Sami Instruments Safety Locking Device is a revolutionary feature designed to be spring loaded so that the valve remains blocked in the given position thus preventing any accidental operation. Moreover, the spring-loaded feature does not allow the loss or misplacement of any component of the locking device. The valve can be locked in open or closed position and can be fitted to the valve in-line.



Open and Close Instructions



Lift the lock housing above the stop pin and slightly turn it clockwise.



Turn the wrench to the desired position and then release the housing.



SAMI instruments srl
via Botte, 8
35011 Reschigliano
di Campodarsego • PD • Italy

tel. +39 049 9201939
fax +39 049 9217549
info@sami-instruments.com
www.sami-instruments.com



B15-B20 Series

Ordering Information - Medium Pressure Ball Valves

Valve Series	Body Pattern	In/Out
B15	V01	T11

Valve Series	
B15	15,000 p.s.i.
B20	20,000 p.s.i.

Body Pattern	
V01	Two way straight valve

In/Out	
T11	1/4" NPT
T12	3/8" NPT
T13	1/2" NPT
T15	1" O.D.
T01	1/4" O.D.
T02	3/8" O.D.
T03	9/16" O.D.
T04	3/4" O.D.



SAMI instruments srl
 via Botte, 8
 35011 Reschigliano
 di Campodarsego • PD • Italy

tel. +39 049 9201939
 fax +39 049 9217549
 info@sami-instruments.com
 www.sami-instruments.com



B15-Series Ball Valve

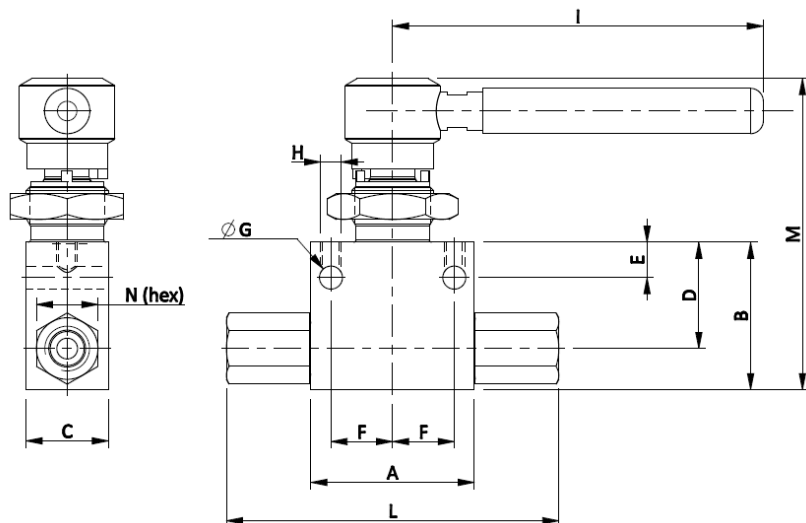
15,000 psi

Sami Instruments medium pressure valves are designed for liquid and gas flow control and are available in various tubing sizes to satisfy different requirements.

Connections from 1/4 " to 1 " NPT-F.

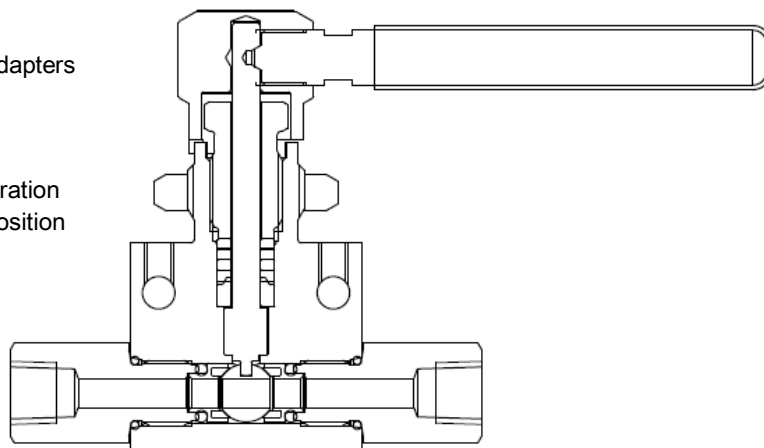
Specifications

- Pressure 15,000 Psi (1034 Bar)
- Positive sealing assured by pressure loaded seats
- Maximum safety assured by blowout-proof stem and ball
- Versatile installation thanks to wide choice of replaceable connections.
- Minimum pressure drop assured by straight through flow path.



Features

- 316 cold-worked stainless steel body and side adapters
- PEEK ball seals
- Stem packings in glass-filled Teflon
- Viton o-rings
- Quick open and close thanks to quarter-turn operation
- Flow indicating handle allows to indicate valve position at a glance
- Bi-directional flow capabilities.
- Panel Mounting:
1.06" (26.0 mm) dia
0.43" (11.0 mm) max thickness



Order code	Connections Inlet/outlet	A (mm) (inch)	B (mm) (inch)	C (mm) (inch)	D (mm) (inch)	E (mm) (inch)	F (mm) (inch)	G (mm) (inch)	H (mm) (inch)	I (mm) (inch)	L (mm) (inch)	M (mm) (inch)	N (mm) (inch)	Orifice mm (inch)
B15V01T11	1/4" NPT-F	50.5 (1.99)	45.5 (1.79)	25.4 (1)	32.8 (1.29)	10.9 (0.43)	19.05 (0.75)	7.1 (0.28)	1/4"-20 UNC	114 (4.49)	102.7 (4.04)	96 (3.78)	19.05 (0.75)	6.4 (0.25)
B15V01T12	3/8" NPT-F	50.5 (1.99)	45.5 (1.79)	25.4 (1)	32.8 (1.29)	10.9 (0.43)	19.05 (0.75)	7.1 (0.28)	1/4"-20 UNC	114 (4.49)	102.7 (4.04)	96 (3.78)	25.4 (1)	6.4 (0.25)
B15V01T13	1/2" NPT-F	76.2 (3)	53.45 (2.1)	34.9 (1.37)	36 (1.42)	10.9 (0.43)	19.05 (0.75)	7.1 (0.28)	1/4"-20 UNC	114 (4.49)	137.1 (5.4)	104 (4.09)	34.9 (1.375)	9.5 (0.374)
B15V01T15	1" NPT-F	76.2 (3)	53.45 (2.1)	34.9 (1.37)	36 (1.42)	10.9 (0.43)	19.05 (0.75)	7.1 (0.28)	1/4"-20 UNC	114 (4.49)	137.1 (5.4)	104 (4.09)	44.45 (1.75)	9.5 (0.374)



SAMI instruments srl
via Botte, 8
35011 Reschigliano
di Campodarsego • PD • Italy

tel. +39 049 9201939
fax +39 049 9217549
info@sami-instruments.com
www.sami-instruments.com



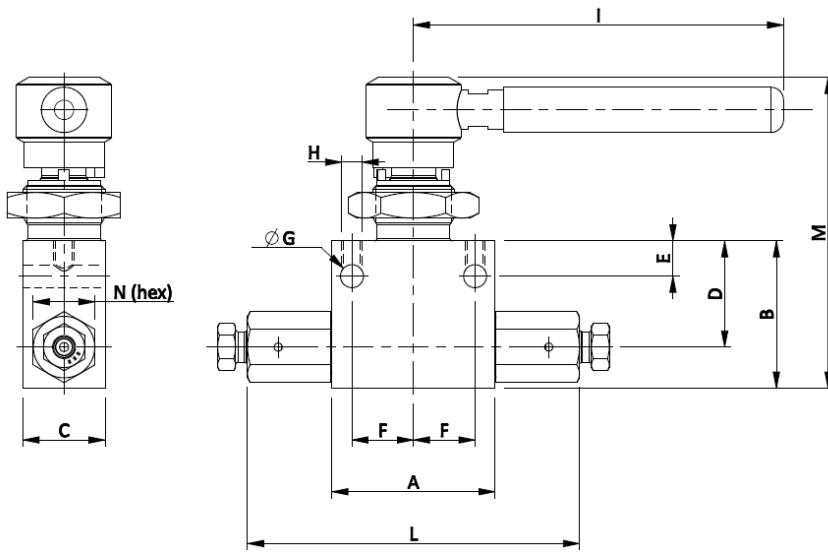
B20-Series Ball Valve

20,000 psi

Sami Instruments high pressure valves are designed for liquid and gas flow control and are available in various tubing sizes to satisfy different requirements. Connections from 1/4" to 3/4" O.D.

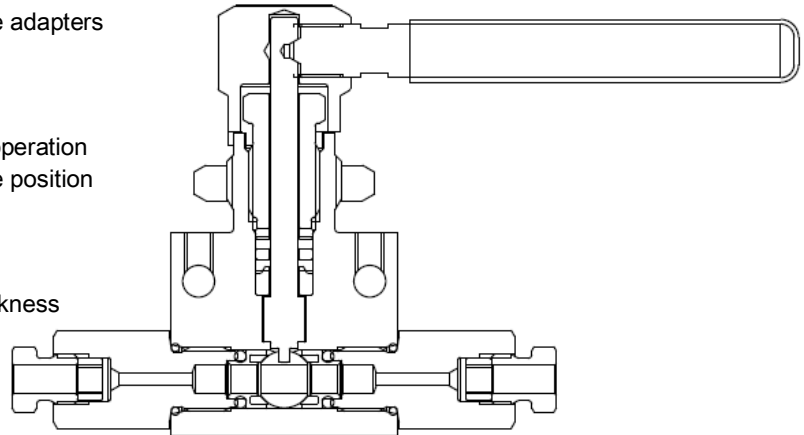
Specifications

- Pressure 20,000 Psi (1380 Bar)
- Positive sealing ensured by pressure loaded seats
- Maximum safety ensured by blowout-proof stem and ball
- Versatile installation thanks to wide choice of replaceable connections.
- Minimum pressure drop assured by straight through flow path.



Features

- 316 cold-worked stainless steel body and side adapters
- PEEK ball seals
- Stem packings in glass-filled Teflon
- Viton o-rings
- Quick open and close thanks to quarter-turn operation
- Flow indicating handle allows to indicate valve position at a glance
- Bi-directional flow capabilities.
- Panel mounting: 1.06" (26.0 mm) dia
0.43" (11.0 mm) max thickness



Order code	Connections Inlet/outlet	A (mm) (inch)	B (mm) (inch)	C (mm) (inch)	D (mm) (inch)	E (mm) (inch)	F (mm) (inch)	G (mm) (inch)	H (mm) (inch)	I (mm) (inch)	L (mm) (inch)	M (mm) (inch)	N (mm) (inch)	Orifice mm (inch)
B20V01T01	1/4" O.D.	50.5 (1.99)	45.5 (1.79)	25.4 (1)	32.8 (1.29)	10.9 (0.43)	19.05 (0.75)	7.1 (0.28)	1/4"-20 UNC	114 (4.49)	102.7 (4.04)	96 (3.78)	19.05 (0.75)	2.8 (0.11)
B20V01T02	3/8" O.D.	50.5 (1.99)	45.5 (1.79)	25.4 (1)	32.8 (1.29)	10.9 (0.43)	19.05 (0.75)	7.1 (0.28)	1/4"-20 UNC	114 (4.49)	102.7 (4.04)	96 (3.78)	19.05 (0.75)	5.2 (0.205)
B20V01T03	9/16" O.D.	76.2 (3)	53.45 (2.1)	34.9 (1.37)	36 (1.42)	10.9 (0.43)	19.05 (0.75)	7.1 (0.28)	1/4"-20 UNC	114 (4.49)	143 (5.63)	104 (4.09)	34.9 (1.375)	9 (0.354)
B20V01T04	3/4" O.D.	76.2 (3)	53.45 (2.1)	34.9 (1.37)	36 (1.42)	10.9 (0.43)	19.05 (0.75)	7.1 (0.28)	1/4"-20 UNC	114 (4.49)	191 (7.52)	104 (4.09)	34.9 (1.375)	9.5 (0.374)



SAMI instruments srl
via Botte, 8
35011 Reschigliano
di Campodarsego • PD • Italy

tel. +39 049 9201939
fax +39 049 9217549
info@sami-instruments.com
www.sami-instruments.com



